

**DINGLI****JCPT2223DC****SELF PROPELLED SCISSOR LIFT - ELECTRIC****SPECIFICATIONS**

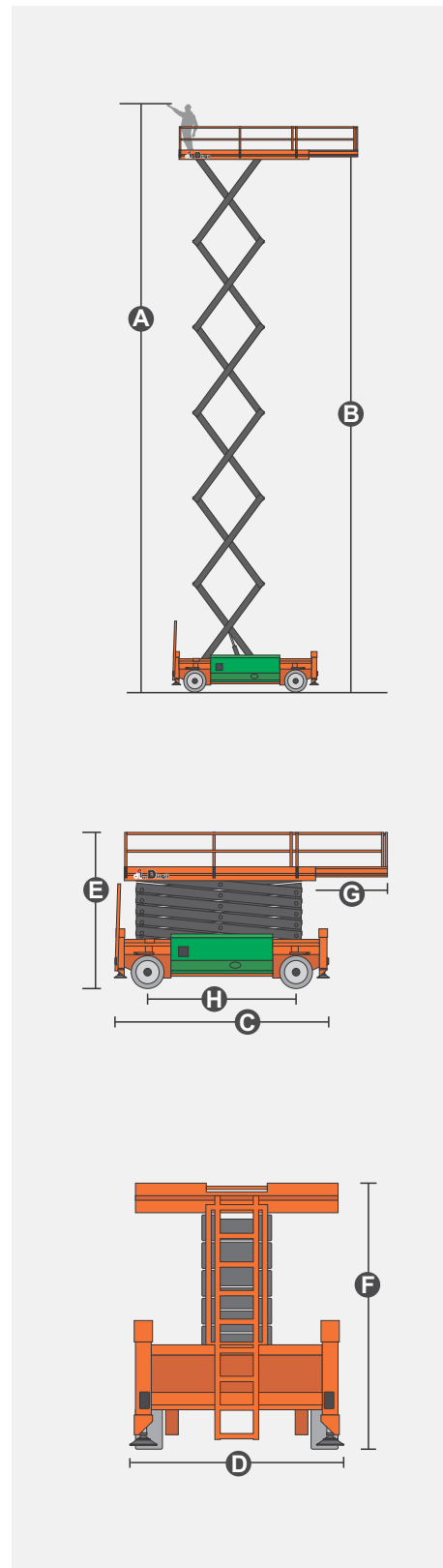
Size	Metric	British
Max. Working Height <b>A</b>	22.00m	72ft 2in
Max. Platform Height <b>B</b>	20.00m	65ft 7in
Overall Length <b>C</b>	4.95m	16ft 3in
Overall Width <b>D</b>	2.46m	8ft 1in
Overall Height(Rails Up) <b>E</b>	3.86m	12ft 8in
Overall Height(Rails Down) <b>F</b>	3.00m	9ft 10in
Platform Size(Length×Width)	4.59m×2.25m	15ft 1in × 7ft 5in
Platform Extension Size <b>G</b>	2.70m	8ft 10in
Ground Clearance(Stowed/Raised)	0.40m	1ft 4in
Wheelbase <b>H</b>	3.30m	10ft 10in
Turning Radius(Inside/Outside)	1.25m/3.40m	4ft 1in/11ft 2in
Tyres	36×14-20	36×14-20

Performance		
S.W.L	750kg	1653lb
S.W.L On Extension	750kg	1653lb
Max. Occupants	4	4
Gradeability	30%	30%
Travel Speed(Stowed)	5.0km/h	5.0km/h
Travel Speed(Raised)	0.4km/h	0.4km/h
Max. Working Slope	2°/3°	2°/3°
Up/Down Speed	90/75sec	90/75sec

Weight		
Overall Weight	13400kg	29541lb

Power		
Hydraulic Tank	150L	150L
Battery	48V/630Ah	48V/630Ah
Charger	48V/60A	48V/60A
Driving Motor	4×AC 32V/3.3kW	4×AC 32V/3.3kW
Lifting Motor	2×DC 48V/10.0kW	2×DC 48V/10.0kW

\* The platform height plus 2m (7ft in British standard) is the working height.  
Standards Compliance



# DINGLI

# JCPT2223DC

## SELF PROPELLED SCISSOR LIFT - ELECTRIC



### FEATURES

#### Standard Items

- Proportional Joystick Controls
- Self-Locking Gates
- Charging Indicator
- Drivable At Full Height
- 4x4 Drive
- 4x4 Steer
- Four-Wheel Braking
- Self-Weight Lowering System
- Tubing Explosion-Proof System
- Onboard Fault Diagnostic System
- Tilt Alarm
- Motion Alarm
- Horn
- Hour Meter
- Charging Protection System
- Flashing LED Beacon
- Foldable Guard Rails
- Drive Enable
- Automatic One-Way Platform Extension Deck
- Manual Brake Release
- Lanyard Attachment Point
- Tie-Down And Lifting Points
- Automatic Leveling Hydraulic Outriggers
- Emergency Pump
- Emergency Stop Button
- Platform Load Sense System

#### Optional Items

##### Factory Tyres

- Solid Rubber Tyres \*\*
- Non-Marking Tyres

##### Factory Hydraulic Oil

- No. 46 Hydraulic Oil (Mineral Oil)\*\*

#### Additional Items

- GPS Unit
- Biodegradable Hydraulic Oil
- AC Power Cord to Platform
- Air Line to Platform
- Work Light Package
- Footpedal Switch
- Anti-Collision Bar on Platform
- Visual Spirit Level
- Outrigger Pad Package
- Guard Mesh Package
- Self-Lubrication System



Delivering Safety & Productivity

Chennai | Bengaluru | Mumbai | Ahmedabad | Hyderabad | Delhi | Kolkata | Sri Lanka | Qatar

equipment@mtandt.com | 9090 1010 65 | www.mtandt.com